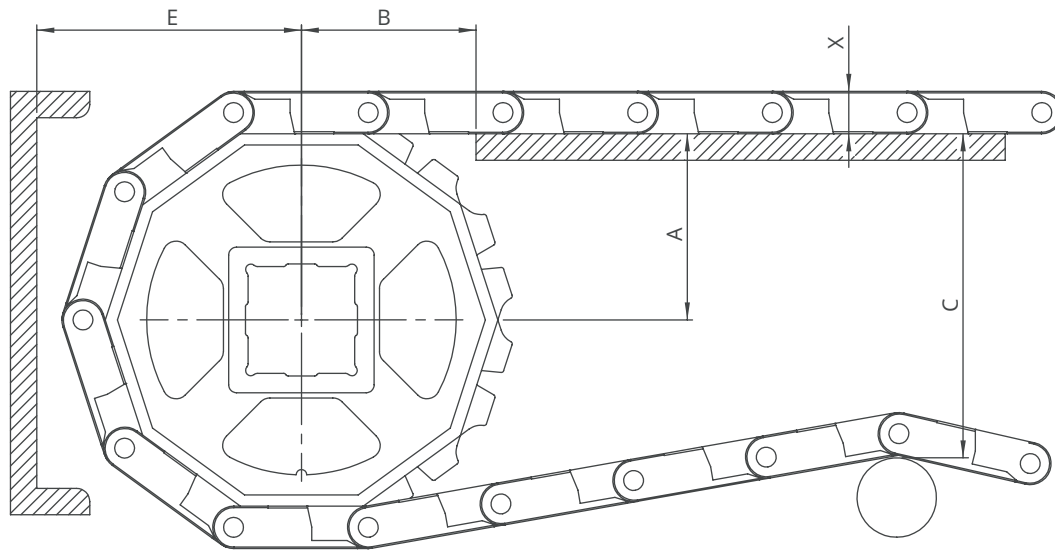


# MD508 Series *Engineering Information*

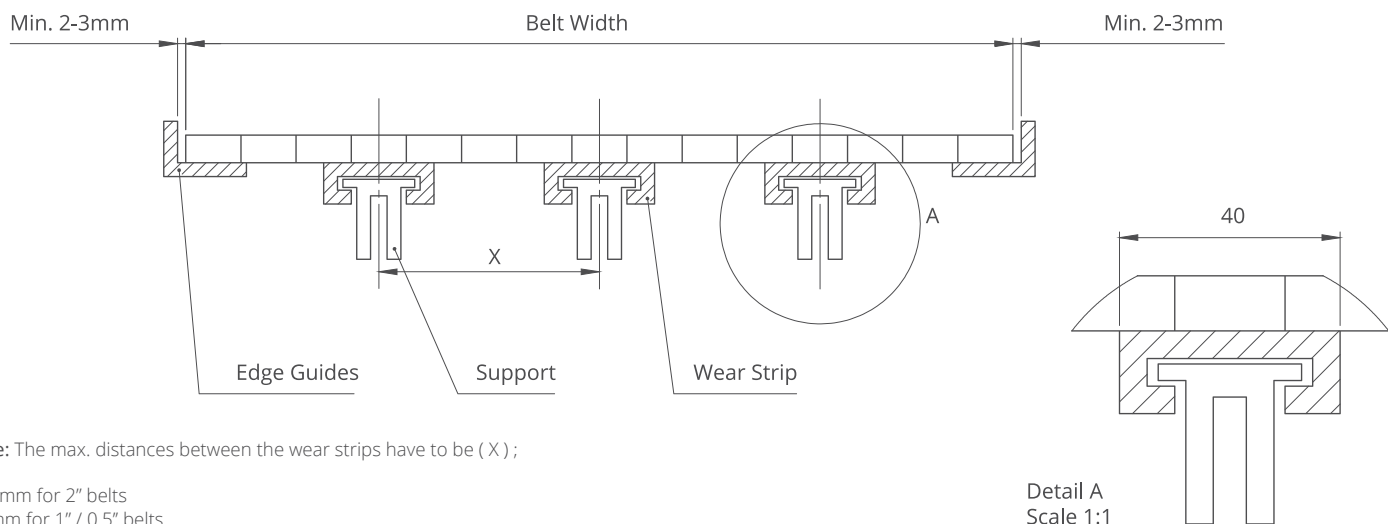


A - ± 0,031" ( 1mm )      C - ± ( Max.)  
 B - ± 0,125" ( 3mm )      E - ± ( Min.)

## MD508 Series / Conveyor Frame Dimensions

Sprockets Description		A		B		C		E		X	
Pitch Diameter		Range (Bottom to Top)		inch	mm	inch	mm	inch	mm	inch	mm
inch	mm	inch	mm								
<b>MD508 C, MD508 PR%25, MD508 FG</b>											
<b>4.65</b>	118,0	8	<b>2.29</b> 58,1	<b>2.94</b> 74,8	<b>3.79</b> 96,2	<b>3.11</b> 79,1	<b>0.63</b> 16,0				
<b>5.94</b>	151,0	10	<b>2.92</b> 74,3	<b>3.57</b> 90,7	<b>5.06</b> 128,5	<b>3.75</b> 95,3	<b>0.63</b> 16,0				
<b>7.32</b>	186,0	12	<b>3.56</b> 90,5	<b>4.20</b> 106,7	<b>6.33</b> 160,9	<b>4.39</b> 111,4	<b>0.63</b> 16,0				

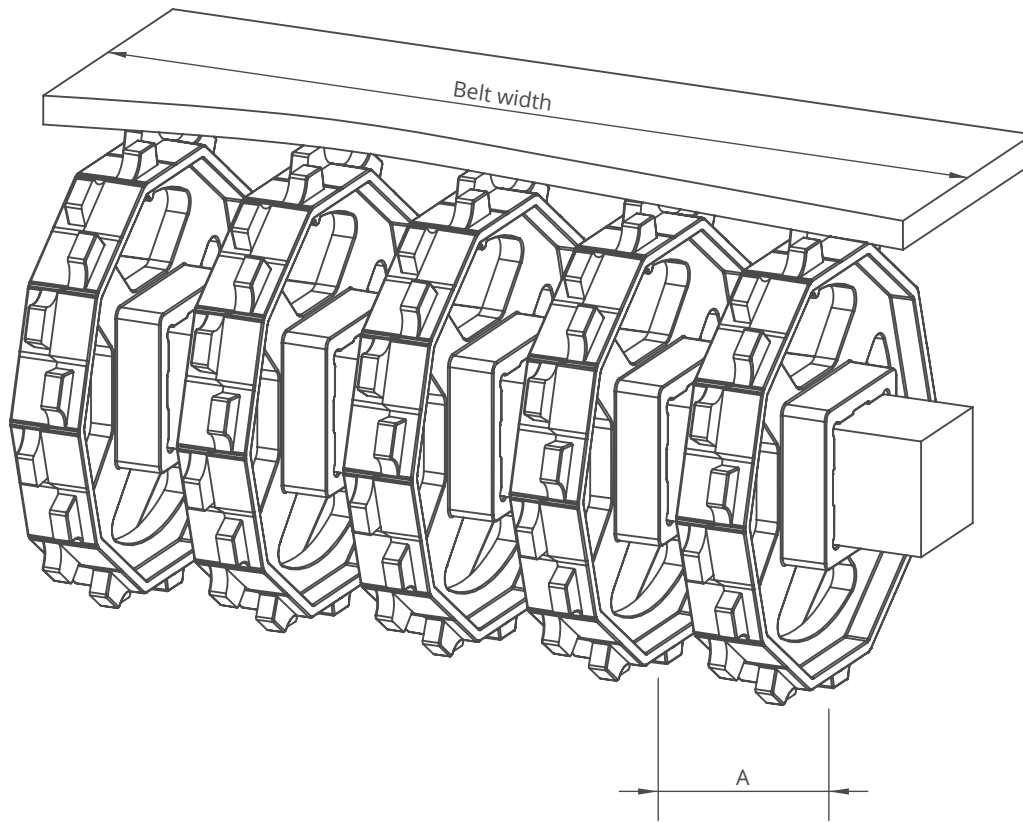
## MD508 Series / Slider Support System For Straight Running Belts



Note: The max. distances between the wear strips have to be ( X );

125 mm for 2" belts  
 80 mm for 1" / 0.5" belts

Detail A  
 Scale 1:1



## MD508 Series / Sprockets Arrangement

Standard Belt Width		Number of sprockets per shaft		A (mm/inch)	
mm	inch	Drive Shaft	Return Shaft	Min.	Max.
150,0	<b>5.90</b>	2	2	60/2.36	150/5.9
225,0	<b>8.86</b>	3	2	60/2.36	150/5.9
300,0	<b>11.81</b>	3	3	60/2.36	150/5.9
375,0	<b>14.76</b>	4	3	60/2.36	150/5.9
450,0	<b>17.72</b>	4	3	60/2.36	150/5.9
525,0	<b>20.67</b>	5	4	60/2.36	150/5.9
600,0	<b>23.62</b>	5	4	60/2.36	150/5.9
675,0	<b>26.57</b>	6	5	60/2.36	150/5.9
750,0	<b>29.53</b>	6	5	60/2.36	150/5.9
825,0	<b>32.48</b>	6	5	60/2.36	150/5.9
900,0	<b>35.43</b>	7	6	60/2.36	150/5.9
975,0	<b>38.39</b>	8	7	60/2.36	150/5.9
1050,0	<b>41.34</b>	9	7	60/2.36	150/5.9
1125,0	<b>44.29</b>	10	8	60/2.36	150/5.9
1200,0	<b>47.24</b>	11	8	60/2.36	150/5.9
1275,0	<b>50.20</b>	12	9	60/2.36	150/5.9
1350,0	<b>53.15</b>	13	10	60/2.36	150/5.9
1425,0	<b>56.10</b>	14	10	60/2.36	150/5.9
1500,0	<b>59.06</b>	15	11	60/2.36	150/5.9
1575,0	<b>62.00</b>	16	12	60/2.36	150/5.9

Note: Number of sprockets depends on the belt load.

# MD508 Series Sprockets and Technical Specifications



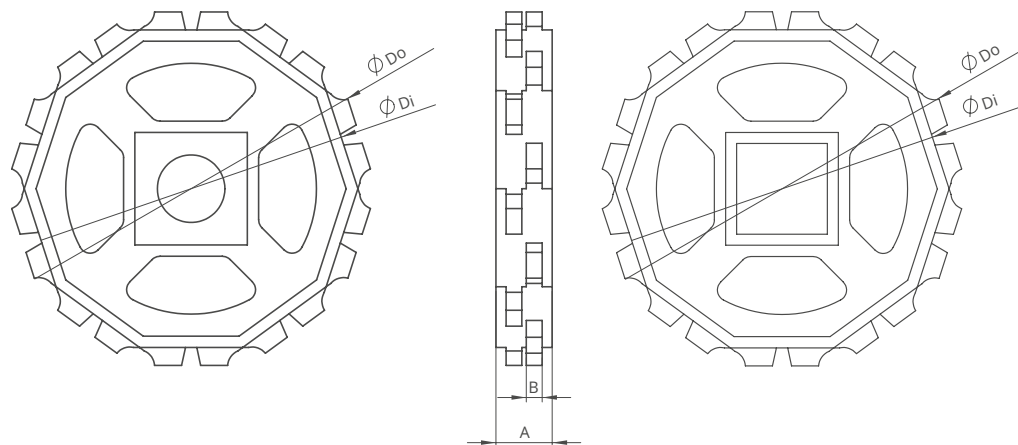
Z8



Z10



Z12



## MD508 Series / Standard Sprockets Dimensions

NO. TEETH	Di mm/inch	Do mm/inch	B mm/inch	A mm/inch	Square Bore (Q) mm/inch	Round Bore (R) mm/inch	PRODUCT CODE	
							Square Type (Q)	Round Type (R)
Z8	107,37 / <b>4.23</b>	127,35 / <b>5.01</b>	7 / <b>0.27</b>	40 / <b>1.57</b>	40 / <b>1.5</b>	25-30 / <b>1-1.25</b>	MD508SQZ8*POM	MD508SRZ8*POM
Z10	141,27 / <b>5.56</b>	160,14 / <b>6.30</b>	7 / <b>0.27</b>	40 / <b>1.57</b>	40-60 / <b>1.5-2.5</b>	25-30 / <b>1-1.25</b>	MD508SQZ10*POM	MD508SRZ10*POM
Z12	174,71 / <b>6.87</b>	193,24 / <b>7.61</b>	7 / <b>0.27</b>	40 / <b>1.57</b>	40-60 / <b>1.5-2.5</b>	25-30 / <b>1-1.25</b>	MD508SQZ12*POM	MD508SRZ12*POM

\*Other sprockets and hub sizes are manufactured up to request.

\*PA (Polyamide) and PP (Polypropylene) sprockets raw material is available on request.

**\*Machined Split Sprockets are available for each size.**



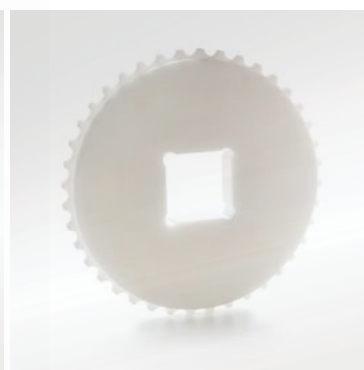
Clamp



Machined Split Sprocket



Moulded Sprocket



Machined Sprocket