

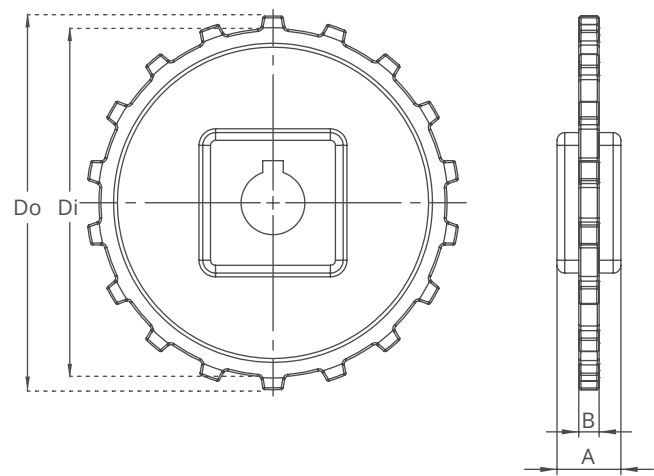
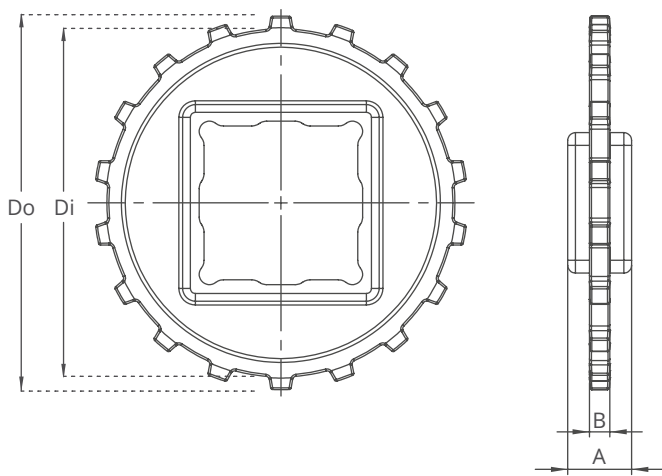
XP254 Series Sprockets and Technical Specifications



Z18



Z18



- Split moulded sprockets are available for XP254 Z15 & Z18!

XP254 Series / Standard Sprockets Dimensions

NO. TEETH	Di mm/inch	Do mm/inch	B mm/inch	A mm/inch	Square Bore (Q) mm/inch	Round Bore (R) mm/inch	PRODUCT CODE	
							Square Type (Q)	Round Type (R)
Z8	53,2 / 2.09	64,0 / 2.52	8 / 0.31	25 / 1	25 / 1	25-30 / 1-1.25	XP254SQZ8*PA	XP254SRZ8*PA
Z10	71,6 / 2.82	82,5 / 3.25	8 / 0.31	25 / 1	40 / 1.5	25-30 / 1-1.25	XP254SQZ10*PA	XP254SRZ10*PA
Z12	89,0 / 3.50	99,5 / 3.92	8 / 0.31	25 / 1	40 / 1.5	25-30 / 1-1.25	XP254SQZ12*PA	XP254SRZ12*PA
Z15	114,0 / 4.49	124,0 / 4.88	8 / 0.31	25 / 1	40-60 / 1.5-2.5	25-30 / 1-1.25	XP254SQZ15*PA	XP254SRZ15*PA
Z18	136,4 / 5.37	146,4 / 5.76	8 / 0.31	25 / 1	40-60 / 1.5-2.5	25-30 / 1-1.25	XP254SQZ18*PA	XP254SRZ18*PA

*Other sprockets and hub sizes are manufactured up to request. *POM (Acetal) and PP (Polypropylene) sprockets raw material is available on request.

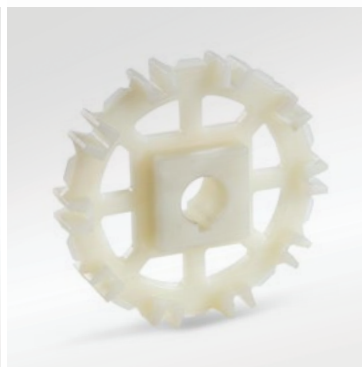
***Machined Split Sprockets are available for each size.**



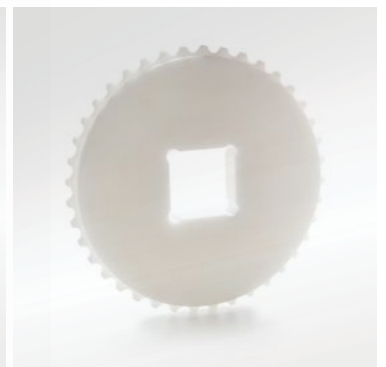
Clamp



Machined Split Sprocket

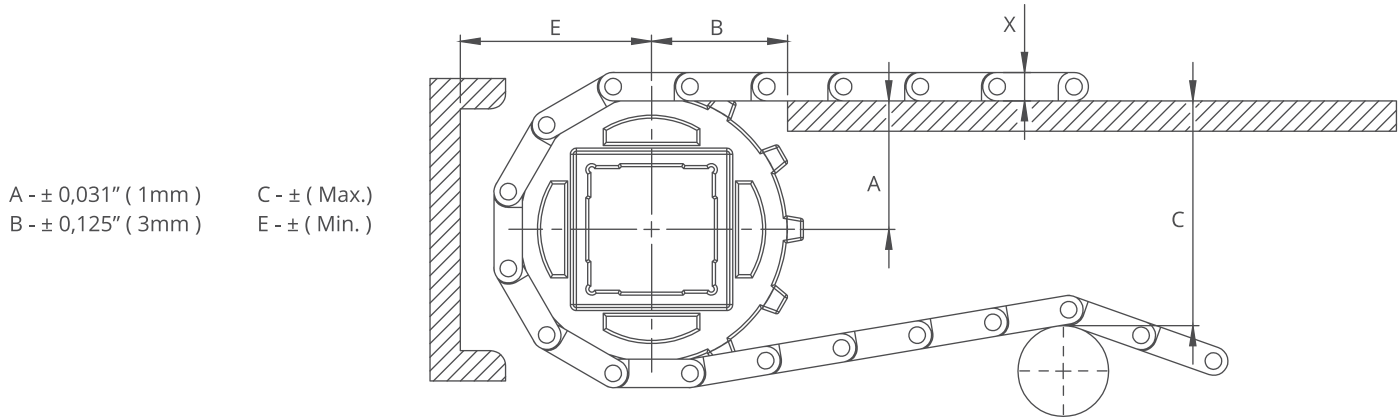


Moulded Sprocket



Machined Sprocket

XP254 Series *Engineering Information*

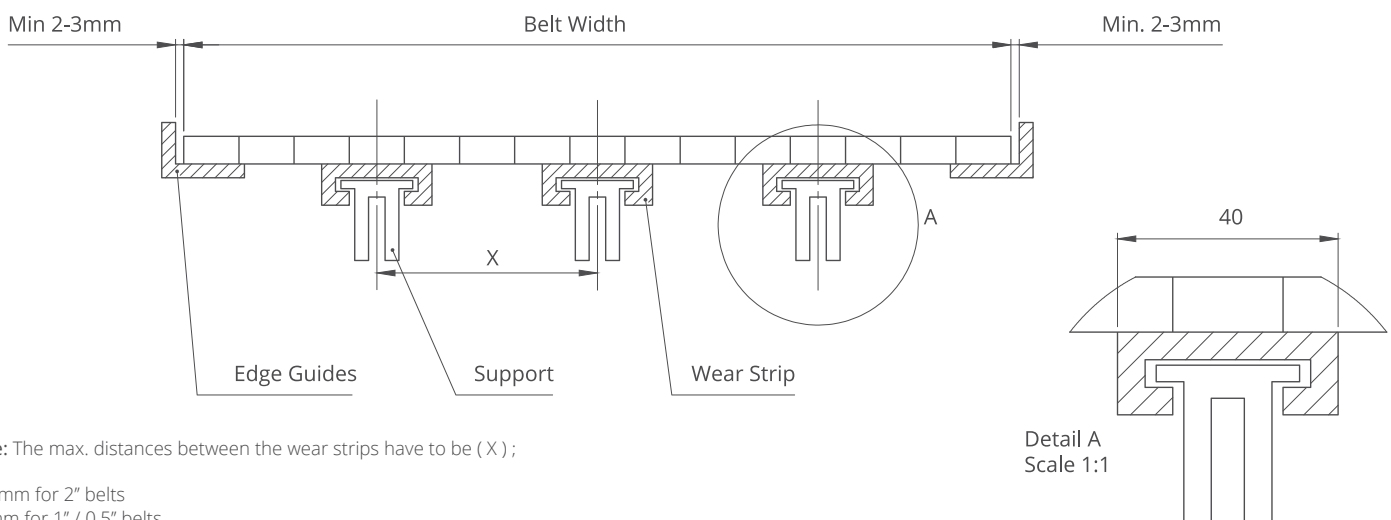


A - $\pm 0,031''$ (1mm)
 B - $\pm 0,125''$ (3mm)
 C - \pm (Max.)
 E - \pm (Min.)

XP254 Series / Conveyor Frame Dimensions

Sprockets Description			A		B		C		E		X	
Pitch Diameter		No.Teeth	Range (Bottom to Top)		inch	mm	inch	mm	inch	mm	inch	mm
inch	mm		inch	mm								
XP254 FLT CR, XP254 C, XP254 FG, XP254 PR%22												
2.32	59,0	8	1.17	29,8	1.44	36,5	1.94	49,3	1.91	48,6	0.35	8,8
2.99	76,0	10	1.47	37,0	1.69	42,9	2.57	65,4	2.21	56,2	0.35	8,8
3.59	91,2	12	1.79	45,5	1.86	47,3	3.19	81,1	2.53	64,3	0.35	8,8
4.65	118,0	15	2.22	56,3	2.13	54,1	4.15	105,3	2.96	75,1	0.35	8,8
5.67	144,0	18	2.71	69,0	2.31	58,7	5.16	131,0	3.45	87,8	0.35	8,8
XP254 CR												
2.32	59,0	8	1.17	29,8	1.44	36,5	1.94	49,3	1.91	48,6	0.37	9,3
2.99	76,0	10	1.47	37,0	1.69	42,9	2.57	65,4	2.21	56,2	0.37	9,3
3.59	91,2	12	1.79	45,5	1.86	47,3	3.19	81,1	2.53	64,3	0.37	9,3
4.65	118,0	15	2.22	56,3	2.13	54,1	4.15	105,3	2.96	75,1	0.37	9,3
5.67	144,0	18	2.71	69,0	2.31	58,7	5.16	131,0	3.45	87,8	0.37	9,3

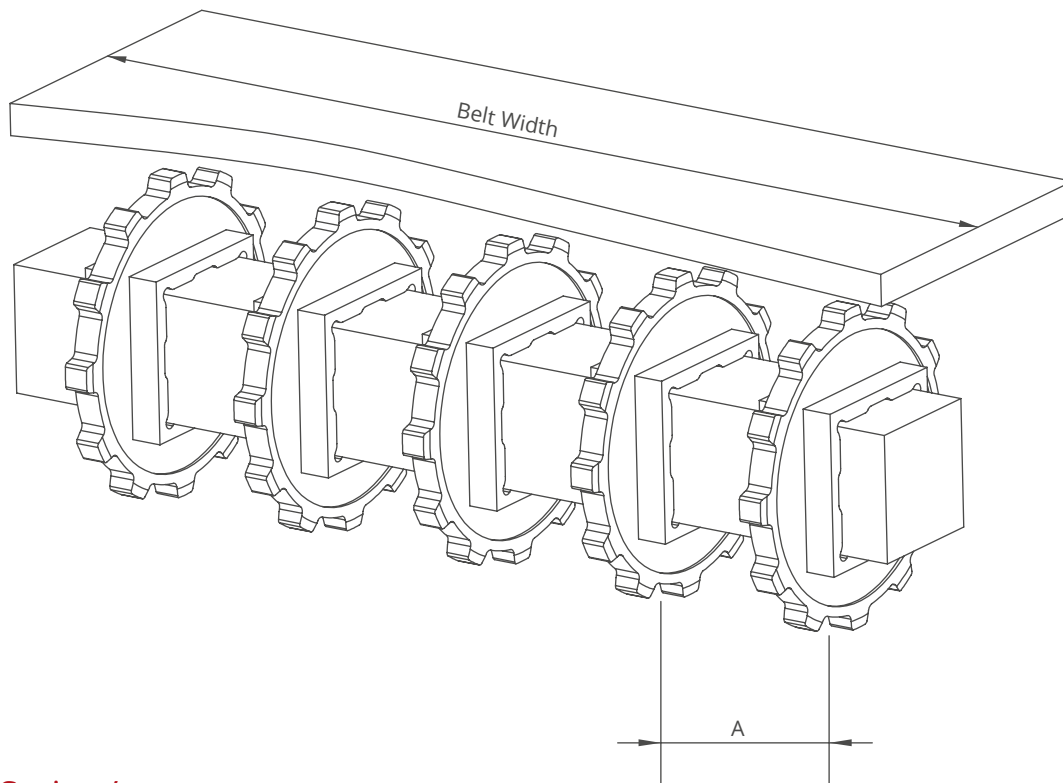
XP254 Series / Slider Support System For Straight Running Belts



Note: The max. distances between the wear strips have to be (X) ;

125 mm for 2" belts
 80 mm for 1" / 0.5" belts

Detail A
 Scale 1:1



XP254 Series / Sprockets Arrangement

Standard Belt Width		Number of sprockets per shaft		A (mm/inch)	
mm	inch	Drive Shaft	Return Shaft	Min.	Max.
152,4	6.0	2	2	60/2.36	170/6.6
228,6	9.0	2	2	60/2.36	170/6.6
304,8	12.0	3	2	60/2.36	170/6.6
381,0	15.0	4	3	60/2.36	170/6.6
457,2	18.0	5	3	60/2.36	170/6.6
533,4	21.0	5	3	60/2.36	170/6.6
609,6	24.0	6	3	60/2.36	170/6.6
685,8	27.0	6	4	60/2.36	170/6.6
762,0	30.0	7	4	60/2.36	170/6.6
838,2	33.0	7	4	60/2.36	170/6.6
914,4	36.0	8	4	60/2.36	170/6.6
990,6	39.0	8	5	60/2.36	170/6.6
1066,8	42.0	9	5	60/2.36	170/6.6
1143,0	45.0	9	5	60/2.36	170/6.6
1219,2	48.0	10	5	60/2.36	170/6.6
1295,4	51.0	10	6	60/2.36	170/6.6
1371,6	54.0	11	7	60/2.36	170/6.6
1447,8	57.0	11	7	60/2.36	170/6.6
1524,0	60.0	12	7	60/2.36	170/6.6
1600,2	63.0	12	8	60/2.36	170/6.6
1676,4	66.0	12	8	60/2.36	170/6.6
1752,6	69.0	13	8	60/2.36	170/6.6
1828,8	72.0	14	9	60/2.36	170/6.6
1905,0	75.0	14	9	60/2.36	170/6.6
1981,2	78.0	15	10	60/2.36	170/6.6
2057,4	81.0	15	10	60/2.36	170/6.6

Note: Number of sprockets depends on the belt load.