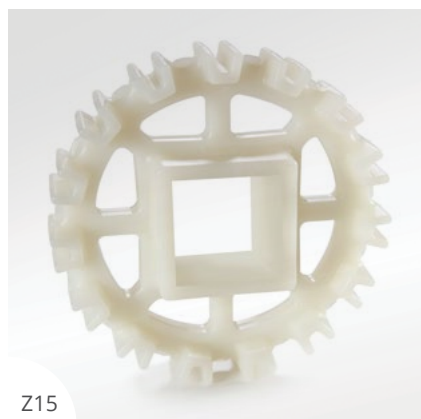


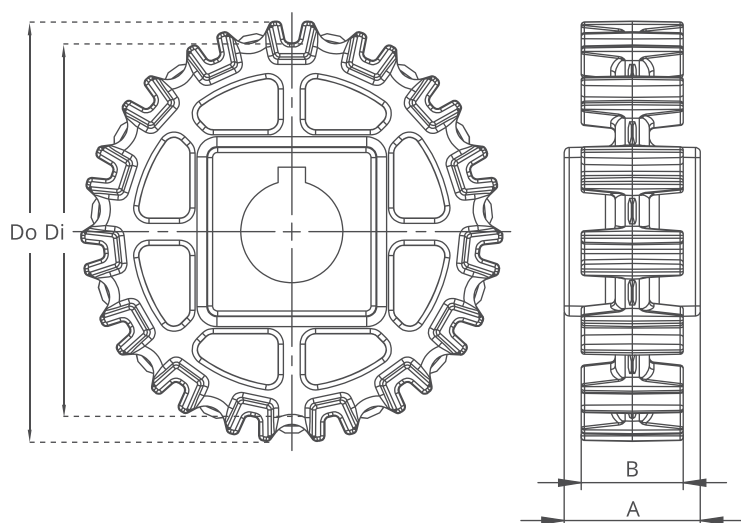
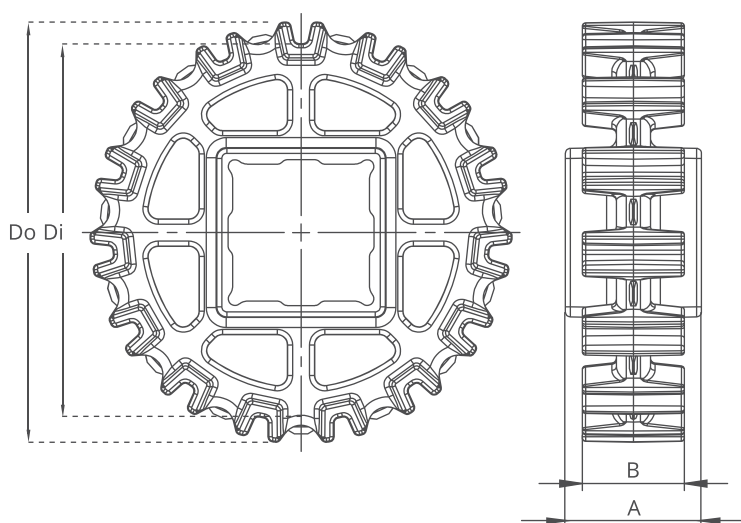
EC254 Series Sprockets and Technical Specifications



Z15



Z15



EC254 Series / Standard Sprockets Dimensions

NO. TEETH	Di mm/inch	Do mm/inch	B mm/inch	A mm/inch	Square Bore (Q) mm/inch	Round Bore (R) mm/inch	PRODUCT CODE	
							Square Type (Q)	Round Type (R)
Z8	51,6 / 2.03	64,6 / 2.54	30 / 1.18	40 / 1.57	25 / 1	25 / 1	EC254SQZ8*POM	EC254SRZ8*POM
Z10	68,8 / 2.71	81,8 / 3.22	30 / 1.18	40 / 1.57	40 / 1.5	25-30 / 1-1.25	EC254SQZ10*POM	EC254SRZ10*POM
Z12	85,5 / 3.37	98,8 / 3.89	30 / 1.18	40 / 1.57	40 / 1.5	25-30 / 1-1.25	EC254SQZ12*POM	EC254SRZ12*POM
Z15	111,1 / 4.37	124,1 / 4.89	30 / 1.18	40 / 1.57	40 / 1.5	25-30 / 1-1.25	EC254SQZ15*POM	EC254SRZ15*POM
Z18	136,1 / 5.36	149,1 / 5.87	30 / 1.18	40 / 1.57	40 / 1.5	25-30 / 1-1.25	EC254SQZ18*POM	EC254SRZ18*POM

*Other sprockets and hub sizes are manufactured up to request. *PA (Polyamide) and PP (Polypropylene) sprockets raw material is available on request.

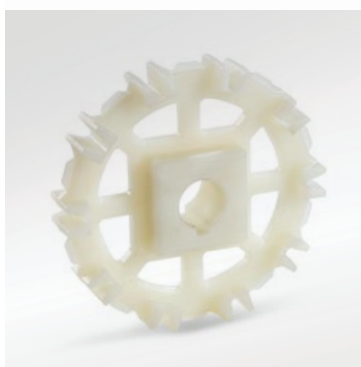
***Machined Split Sprockets are available for each size.**



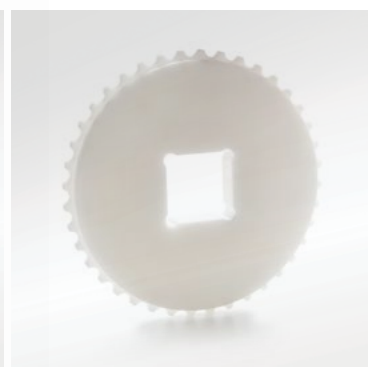
Clamp



Machined Split Sprocket

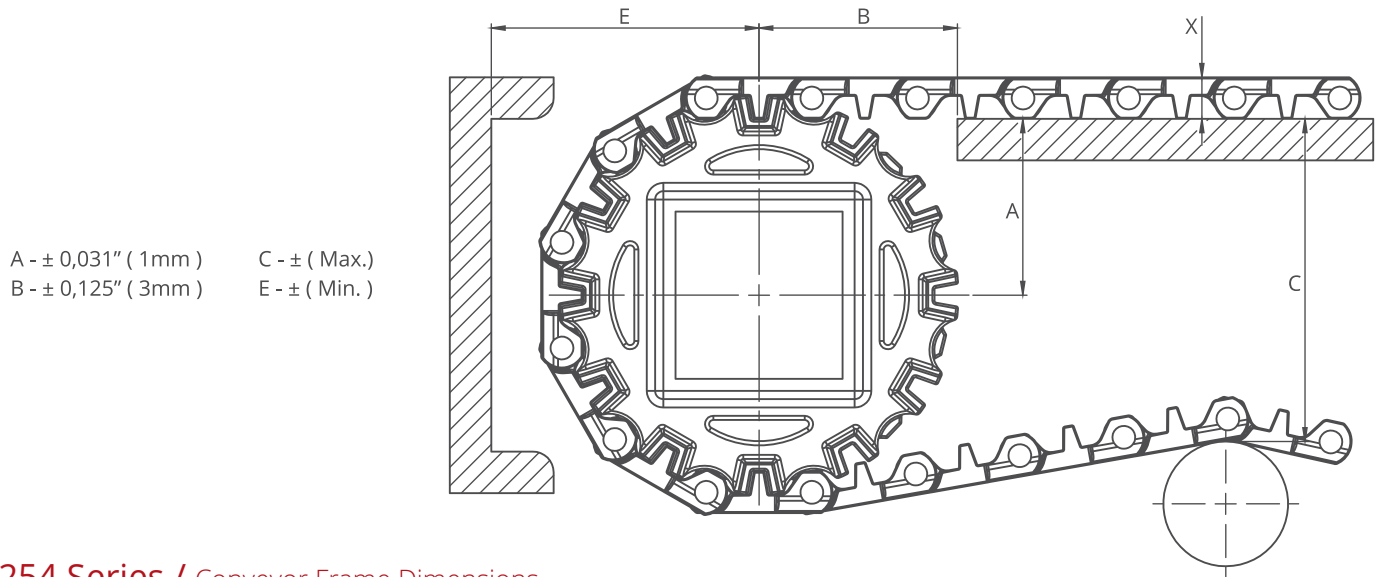


Moulded Sprocket



Machined Sprocket

EC254 Series *Engineering Information*

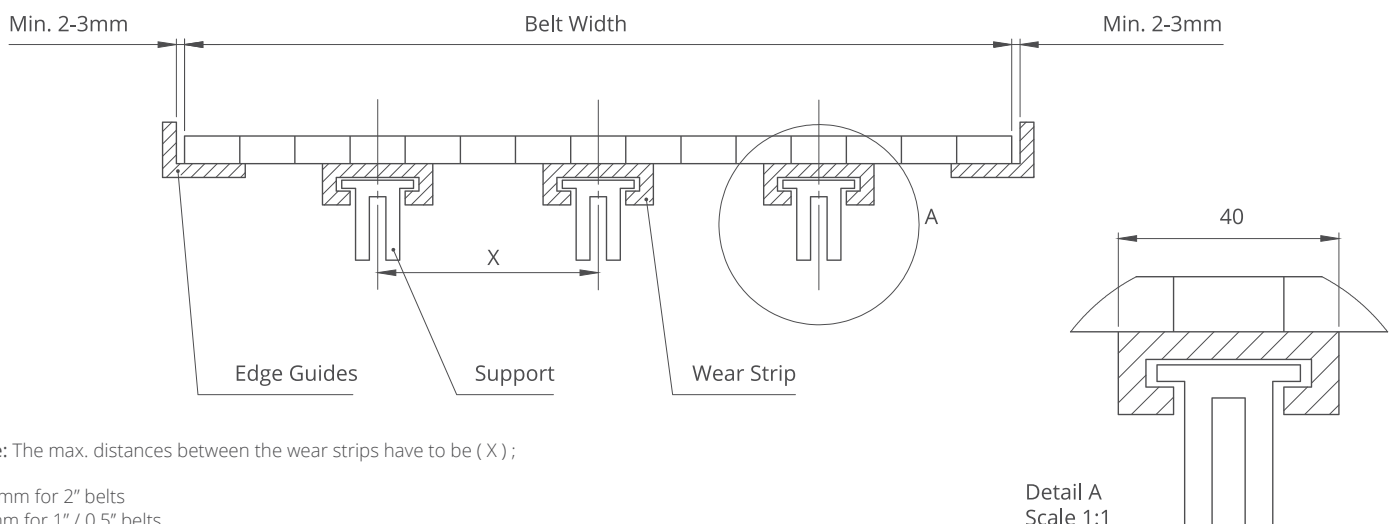


A - $\pm 0,031''$ (1mm) C - \pm (Max.)
 B - $\pm 0,125''$ (3mm) E - \pm (Min.)

EC254 Series / Conveyor Frame Dimensions

Sprockets Description			A		B		C		E		X	
Pitch Diameter		No.Teeth	Range (Bottom to Top)		inch	mm	inch	mm	inch	mm	inch	mm
inch	mm		inch	mm								
EC254 C, EC254 PR%16												
2.30	58,5	8	1.16	29,4	1.48	37,6	1.92	48,7	1.94	49,4	0.39	10,0
2.97	75,5	10	1.48	37,5	1.69	42,9	2.57	65,3	2.26	57,5	0.39	10,0
3.63	92,3	12	1.80	45,8	1.87	47,4	3.23	82,0	2.59	65,8	0.39	10,0
4.65	118,0	15	2.23	56,7	2.16	54,9	4.16	105,7	3.02	76,7	0.39	10,0
5.63	143,0	18	2.75	70,0	2.35	59,7	5.18	131,5	3.54	90,0	0.39	10,0
EC254 NT												
2.30	58,5	8	1.08	27,4	1.52	38,6	1.84	46,7	1.94	49,4	0.47	12,0
2.97	75,5	10	1.40	35,5	1.74	44,1	2.49	63,3	2.26	57,5	0.47	12,0
3.63	92,3	12	1.74	44,1	1.92	48,7	3.16	80,3	2.60	66,1	0.47	12,0
4.65	118,0	15	2.20	55,9	2.19	55,5	4.13	109,0	3.07	77,9	0.47	12,0
5.63	143,0	18	2.70	68,6	2.40	61,0	4.20	120,0	2.95	91,0	0.47	12,0

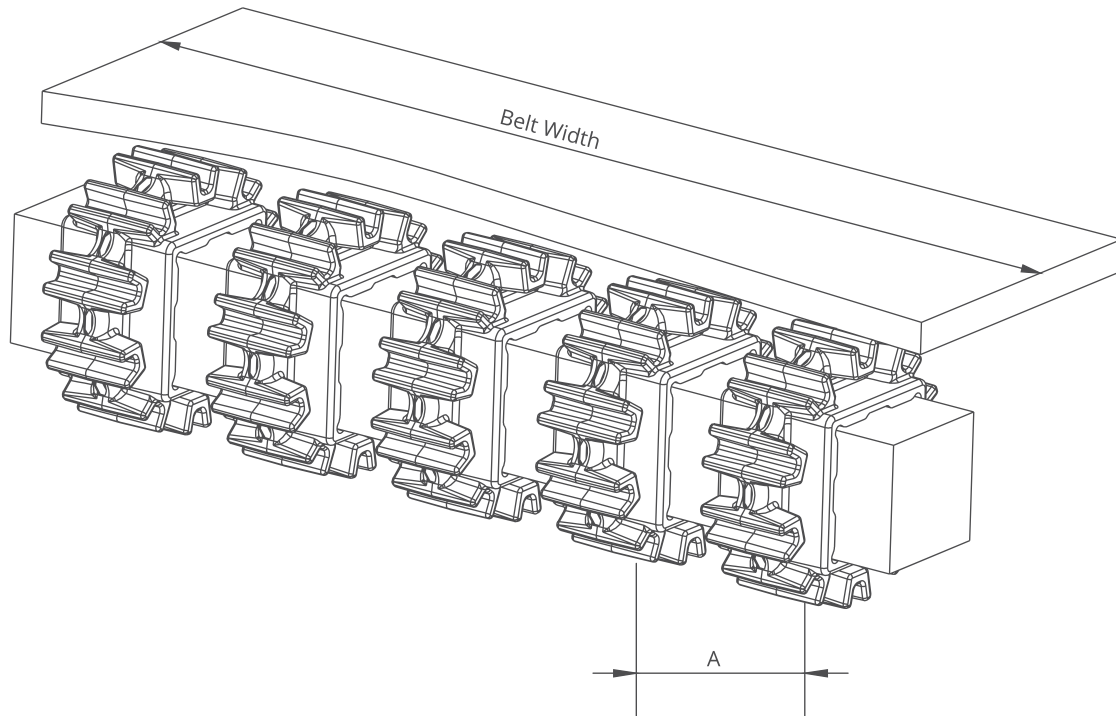
EC254 Series / Slider Support System For Straight Running Belts



Note: The max. distances between the wear strips have to be (X) ;

125 mm for 2" belts
 80 mm for 1" / 0.5" belts

Detail A
 Scale 1:1



EC254 Series / Sprockets Arrangement

Standard Belt Width		Number of sprockets per shaft		A (mm/inch)	
mm	inch	Drive Shaft	Return Shaft	Min.	Max.
152,4	6.0	2	2	60/2.36	170/6.6
228,6	9.0	2	2	60/2.36	170/6.6
304,8	12.0	3	2	60/2.36	170/6.6
381,0	15.0	4	3	60/2.36	170/6.6
457,2	18.0	5	3	60/2.36	170/6.6
533,4	21.0	5	3	60/2.36	170/6.6
609,6	24.0	6	3	60/2.36	170/6.6
685,8	27.0	6	4	60/2.36	170/6.6
762,0	30.0	7	4	60/2.36	170/6.6
838,2	33.0	7	4	60/2.36	170/6.6
914,4	36.0	8	4	60/2.36	170/6.6
990,6	39.0	8	5	60/2.36	170/6.6
1066,8	42.0	9	5	60/2.36	170/6.6
1143,0	45.0	9	5	60/2.36	170/6.6
1219,2	48.0	10	5	60/2.36	170/6.6
1295,4	51.0	10	6	60/2.36	170/6.6
1371,6	54.0	11	7	60/2.36	170/6.6
1447,8	57.0	11	7	60/2.36	170/6.6
1524,0	60.0	12	7	60/2.36	170/6.6
1600,2	63.0	12	8	60/2.36	170/6.6
1676,4	66.0	12	8	60/2.36	170/6.6
1752,6	69.0	13	8	60/2.36	170/6.6
1828,8	72.0	14	9	60/2.36	170/6.6
1905,0	75.0	14	9	60/2.36	170/6.6
1981,2	78.0	15	10	60/2.36	170/6.6
2057,4	81.0	15	10	60/2.36	170/6.6

Note: Number of sprockets depends on the belt load.