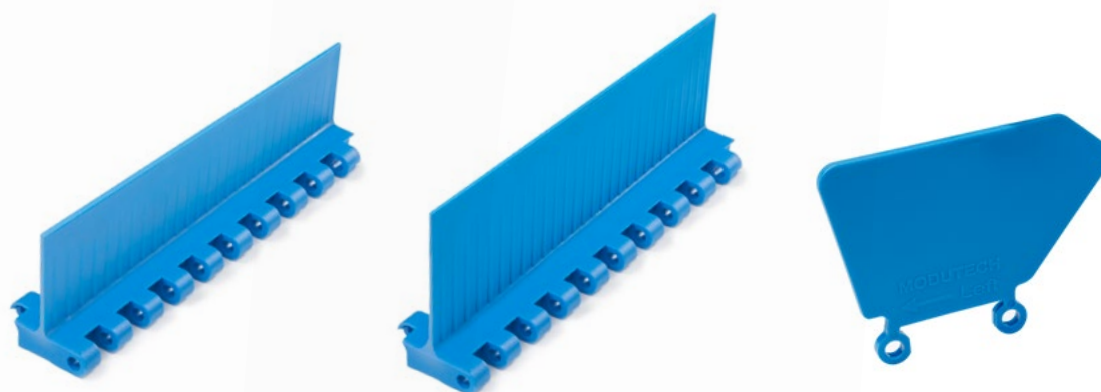




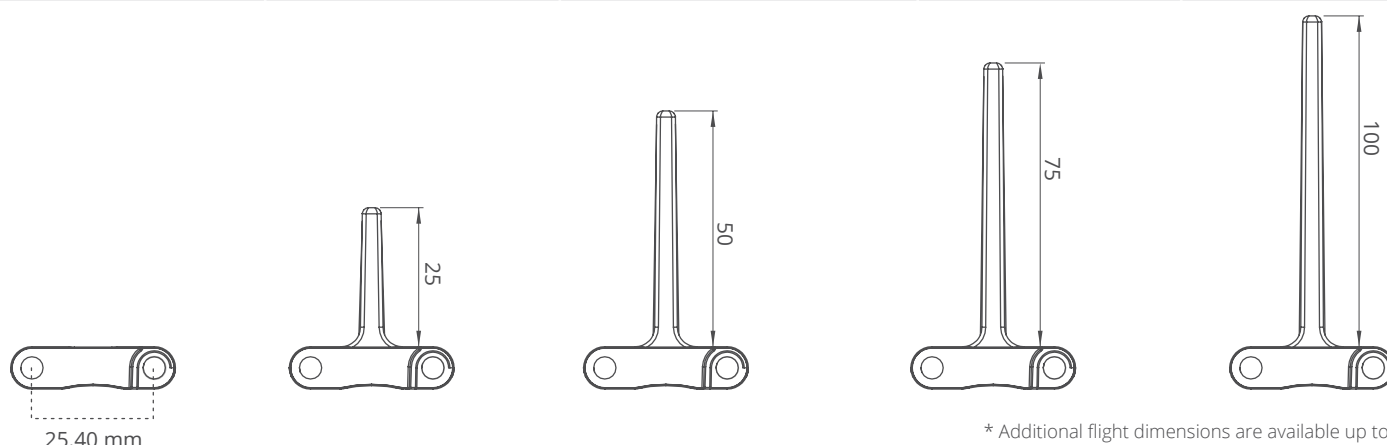
MODUTECH

# XP254 Series Accessories and Technical Specifications

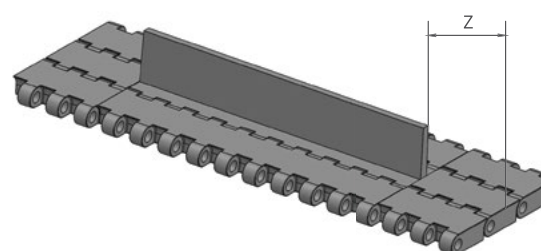
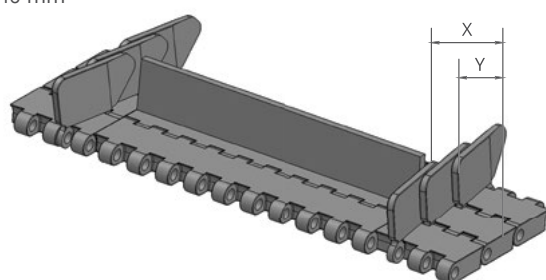


## XP254 Series / Flight & Sidewall Dimensions

XP254 Series / Flights & Sidewalls				
PRODUCT CODE	Flight Height (mm/ <i>inch</i> )	Flight Width (mm/ <i>inch</i> )	PRODUCT CODE	Sidewall Height (mm/ <i>inch</i> )
XP254T25	25 / <b>1</b>	152,4 / <b>6</b>	XP254SW25	25 / <b>1</b>
XP254T50	50 / <b>2</b>	152,4 / <b>6</b>	XP254SW50	50 / <b>2</b>
XP254T75	75 / <b>3</b>	152,4 / <b>6</b>	XP254SW75	75 / <b>3</b>
XP254T100	100 / <b>4</b>	152,4 / <b>6</b>	XP254SW100	100 / <b>4</b>



\* Additional flight dimensions are available up to 75 mm.



## XP254 Series / Sidewall Technical Specifications

Possible Sidewall and Flight Indents	X		Y	
	mm	<i>inch</i>	mm	<i>inch</i>
Standard, no module cutting	24,0	<b>0.94</b>	15,0	<b>0.59</b>
Module cutting necessary	32,0	<b>1.26</b>	22,0	<b>0.87</b>
Standard, no module cutting	40,0	<b>1.57</b>	30,0	<b>1.18</b>
Module cutting necessary	48,0	<b>1.89</b>	37,0	<b>1.46</b>
Standard, no module cutting	56,0	<b>2.20</b>	45,0	<b>1.77</b>
Module cutting necessary	64,0	<b>2.52</b>	53,0	<b>2.09</b>

## XP254 Series / Flight Technical Specifications

Possible Flight Indents for XP254 Series	Z	
	mm	<i>inch</i>
Standard, module cutting	15,0	<b>0.59</b>
Standard, no module cutting	30,0	<b>1.18</b>
Standard, no module cutting	45,0	<b>1.77</b>
Standard, module cutting	60,0	<b>2.36</b>
Standard, no module cutting	76,0	<b>2.99</b>

\*Non-standard flight indent is on request.

Note: Gap between flight and sidewall minimum 2-3 mm