



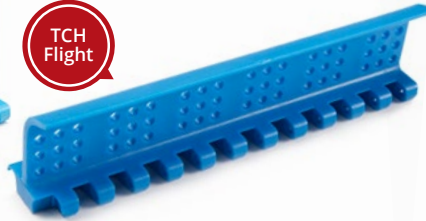
MODUTECH

MD254 Series Accessories and Technical Specifications

No-Cling
TNC
Flight

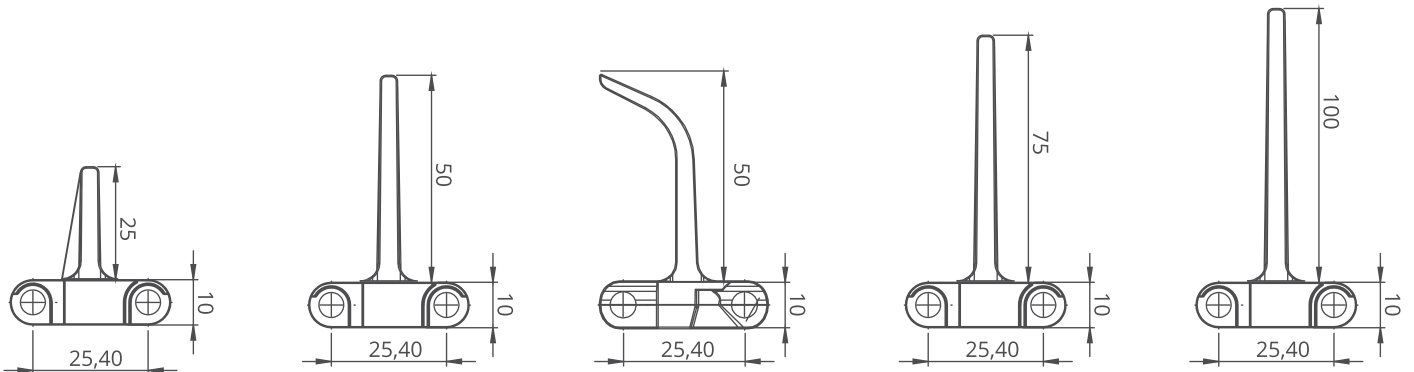


TCH
Flight

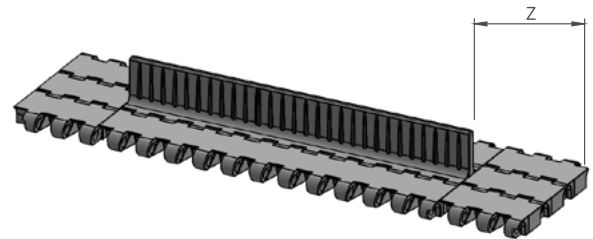
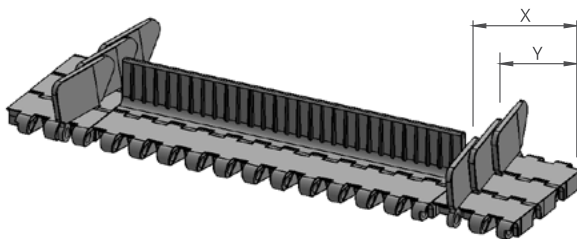


MD254 Series / Flight & Sidewall Dimensions

MD254 Series / Flights & Sidewalls				
PRODUCT CODE	Flight Height (mm/ <i>inch</i>)	Flight Width (mm/ <i>inch</i>)	PRODUCT CODE	Sidewall Height (mm/ <i>inch</i>)
MD254T25	25 / 1	200 / 7.87	MD254SW25	25 / 1
MD254T50	50 / 2	200 / 7.87	MD254SW50	50 / 2
MD254T75	75 / 3	200 / 7.87	MD254SW75	75 / 3
MD254T100	100 / 4	200 / 7.87	MD254SW100	100 / 4
MD254TC50	50 / 2	200 / 7.87	-	-
MD254TCH50	50 / 2	200 / 7.87	-	-
MD254TNC75	75 / 3	200 / 7.87	-	-
MD254TNC100	100 / 4	200 / 7.87	-	-



* Additional flight dimensions are available up to 100 mm.



MD254 Series / Sidewall Technical Specifications

Possible Sidewall and Flight Indents	X		Y	
	mm	<i>inch</i>	mm	<i>inch</i>
Standard, no module cutting	24,0	0.94	15,0	0.59
Module cutting necessary for belt and flight	32,0	1.26	22,0	0.87
Standard, no module cutting	40,0	1.57	30,0	1.18
Module cutting necessary for belt and flight	48,0	1.89	37,0	1.46
Module cutting necessary for belt	56,0	2.20	45,0	1.77
Module cutting necessary for belt and flight	64,0	2.52	53,0	2.09
Standard, no module cutting	73,0	2.87	60,0	2.36
Module cutting necessary for belt and flight	81,0	3.19	68,0	2.68
Standard, no module cutting	90,0	3.54	75,0	2.95

MD254 Series / Flight Technical Specifications

Possible Flight Indents for MD254 Series	Z	
	mm	<i>inch</i>
Standard, no module cutting	33,5	1.32
Standard, no module cutting	50,0	1.97
Standard, module cutting	83,5	3.29
Standard, no module cutting	100,0	3.94

*Non-standard flight indent is on request.

Note: Gap between flight and sidewall minimum 2-3 mm

www.modutech.com.tr