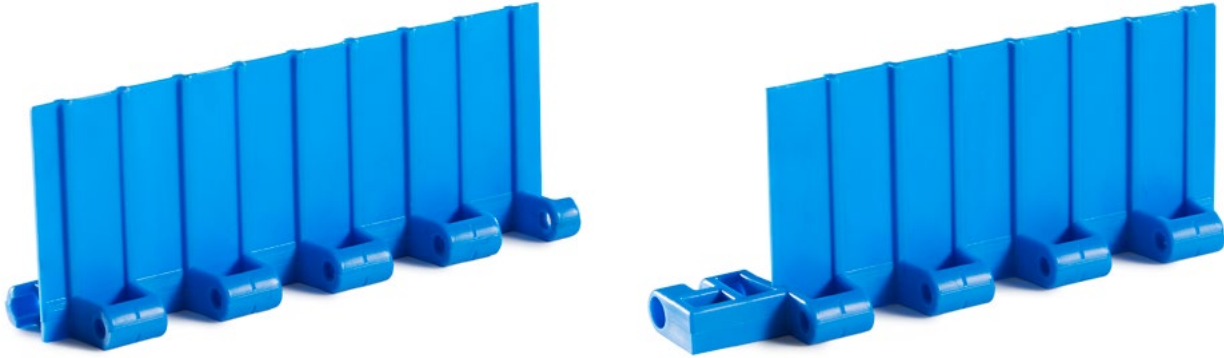
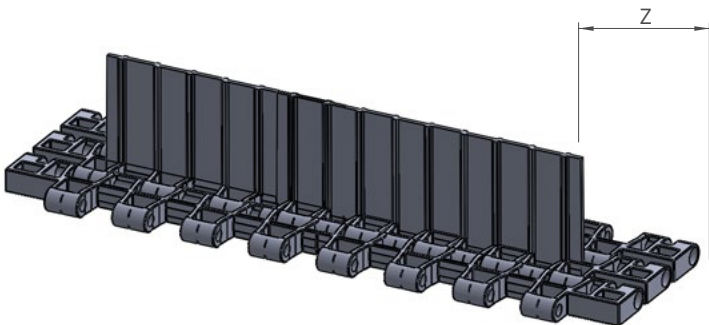
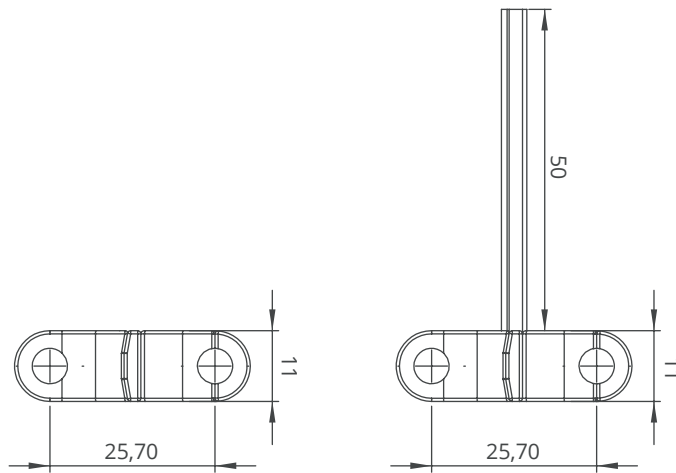


MD254 GAP%48 Serie *Engineering Information*



MD254 GAP%48 Serie / Flight Dimensions

MD254 GAP%48 Serie / Flights				
PRODUCT CODE	Flight Height (mm/ <i>inch</i>)	Flight Width (mm/ <i>inch</i>)	PRODUCT CODE	Sidewall Height (mm/ <i>inch</i>)
MD254G48T50	50 / 2	152 / 6	-	-



MD254 GAP%48 Serie / Flight Technical Specifications

Possible Flight Indents for MD254GAP%48 Serie	Z	
	mm	<i>inch</i>
Standard, no module cutting	35,0	1.38
Standard, module cutting	68,8	2.71
Standard, module cutting	102,6	4.04

*Non-standard flight indent is on request.