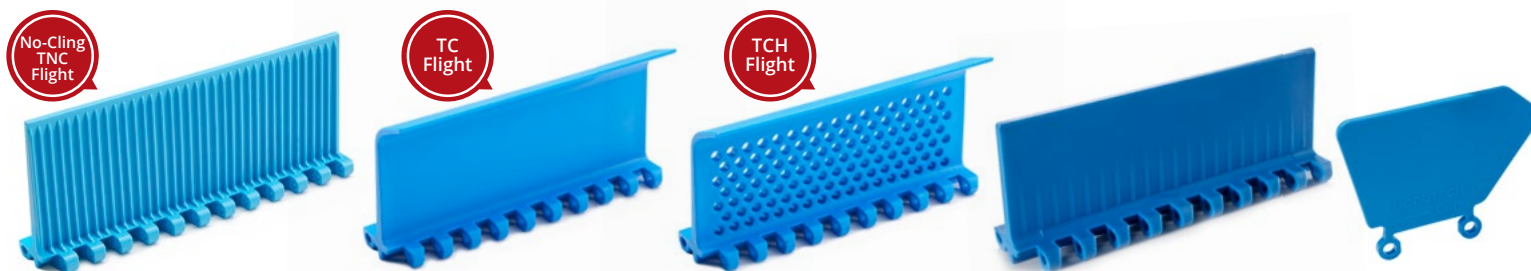


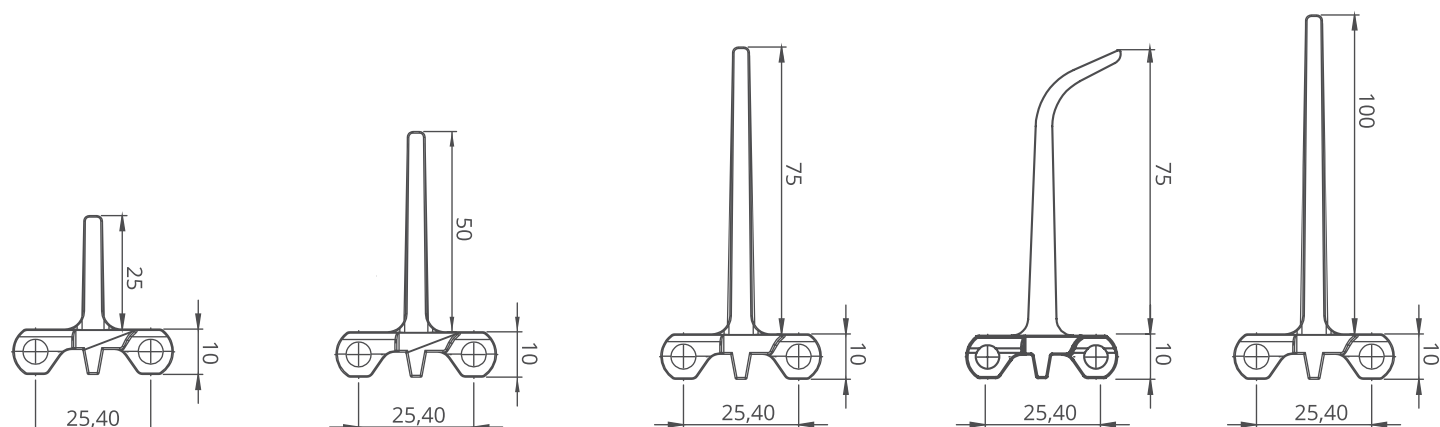


EC254 Series Accessories and Technical Specifications

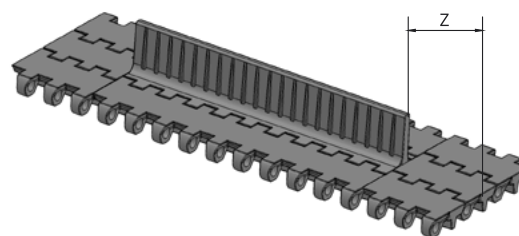
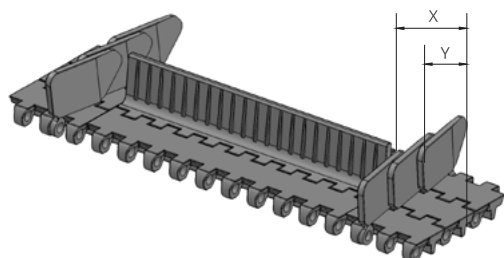


EC254 Series / Flight & Sidewall Dimensions

EC254 Series / Flights & Sidewalls				
PRODUCT CODE	Flight Height (mm/ inch)	Flight Width (mm/ inch)	PRODUCT CODE	Sidewall Height (mm/ inch)
EC254T25	25 / 1	152,4 / 6	EC254SW25	25 / 1
EC254T50	50 / 2	152,4 / 6	EC254SW50	50 / 2
EC254T75	75 / 3	152,4 / 6	EC254SW75	75 / 3
EC254T100	100 / 4	152,4 / 6	EC254SW100	100 / 4
EC254TC75	75 / 3	152,4 / 6	-	-
EC254TCH75	75 / 3	152,4 / 6	-	-
EC254TNC50	50 / 2	152,4 / 6	-	-
EC254TNC100	100 / 4	152,4 / 6	-	-



* Additional flight dimensions are available up to 100 mm.



EC254 Series / Sidewall Technical Specifications

Possible Sidewall and Flight Indents	X		Y	
	mm	inch	mm	inch
Standard, no module cutting	24,0	0.94	15,0	0.59
Module cutting necessary	32,0	1.26	22,0	0.87
Standard, no module cutting	40,0	1.57	30,0	1.18
Module cutting necessary	48,0	1.89	37,0	1.46
Standard, no module cutting	56,0	2.20	45,0	1.77
Module cutting necessary	64,0	2.52	53,0	2.09

EC254 Series / Flight Technical Specifications

Possible Flight Indents for EC254 Series	Z	
	mm	inch
Standard, module cutting	15,0	0.59
Standard, no module cutting	30,0	1.18
Standard, no module cutting	45,0	1.77
Standard, module cutting	60,0	2.36
Standard, no module cutting	76,0	2.99

*Non-standard flight indent is on request.

Note: Gap between flight and sidewall minimum 2-3 mm
Gap between flight and sidewall maximum 10 mm