



XP254 C

Modular Belt Series

• **Seafood Applications**

Inspection Tables, Grading Lines, Trim Lines

• **Bakery Applications**

Row Dough Handling, Cooling Lines, Packing Lines

• **Snack Food Applications**

Corn Processing

• **Fruits and Vegetables Applications**

Bulk Feeding, Elevator, Control - Sorting Table

• **Tire Manufacturing Applications**

Mixer Infeed - Outfeed, Calendering Infeed, Extrusion Outfeed

• **Packaging Applications**

Labelling, Case Packers, Tray Packers, Palletizing - Depalletizing

• **Printing and Paper Applications**

Printing Machine Outfeed, Wrapping Machine Outfeed

• **Beverages and Bottling Applications**

Can Palletizing and Depalletizing, Glass Palletizing and Depalletizing,

Pet Palletizing and Depalletizing

• **Material Handling Applications**

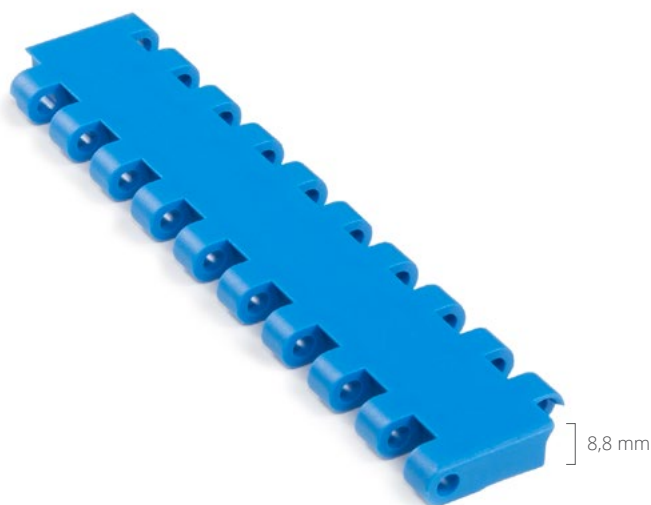
Incline Applications, Palletizers, Packaging Lines



MODUTECH

XP254 C

Pitch:	25,4 mm / 1 inch
Belt Surface:	Close, Smooth Surface
Minimum Width:	50 mm / 1.97 inch
Open Area (%):	0%
Flight:	Yes (T25, T50, T75, T100)
Sidewall:	Yes (h=25 mm, h=50 mm, h=75 mm, h=100 mm)
Rod:	Ø4,5 mm / 0.177 inch - Self Lock
Approved:	FDA and EU
Curve:	No
Color:	Additional colors available
Cleanability:	Good
Belt Thickness:	8.8 mm / 0.346 inch



Product Features and Functional Benefits

- Unique sprocket engagement - higher product load and longer conveyors.
- Unique sprocket engagement reduces pulsation and increases load capacity.
- Close transfer applications.
- Extra power, bi-directional belt for long conveyors.
- Chamfered belt edges.

Available Moulded Module Sizes

- 152,4 mm / **6 inch** module
- 76,2 mm / **3 inch** module

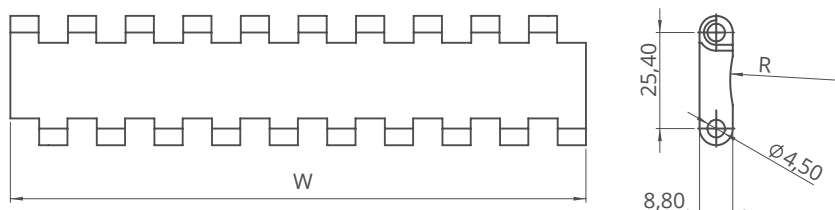
XP254 C / Technical Information

BELT MATERIAL	BELT STRENGTH				TEMPERATURE		BELT WEIGHT
	Straight		Curve		°C / °F (min.)	°C / °F (max.)	
	N/m	lb/ft	N/m	lb/ft			Kg/m ² / lb/ft ²
Polypropylene	18400	1260.80	-	-	+5 / +41	+90 / +194	5,50 / 1.13
Polyethylene	9100	623.55	-	-	-73 / -99.4	+66 / +150.8	5,80 / 1.19
Acetal	32100	2199.55	-	-	-43 / -45.4	+110 / +230	7,90 / 1.62

- Belt strength and temperature values are maximum on the table.

XP254 C / Standard Belt Widths

BELT SERIES	WIDTH (W)				Belt With Tolerance (max.)
	PP-PE		POM		
	mm	inch	mm	inch	
XP254 C	152,4	6.0	152,4	6.0	± 0,5 mm
XP254 C	228,6	9.0	228,6	9.0	± 2 mm
XP254 C	304,8	12.0	304,8	12.0	± 2 mm
XP254 C	381,0	15.0	381,0	15.0	± 3 mm
XP254 C	457,2	18.0	457,2	18.0	± 3 mm
XP254 C	533,4	21.0	533,4	21.0	± 3 mm
XP254 C	609,6	24.0	609,6	24.0	± 3 mm
XP254 C	685,8	27.0	685,8	27.0	± 4 mm
XP254 C	762,0	30.0	762,0	30.0	± 4 mm
XP254 C	838,2	33.0	838,2	33.0	± 4 mm
XP254 C	914,4	36.0	914,4	36.0	± 4 mm
XP254 C	990,6	39.0	990,6	39.0	± 4 mm
XP254 C	1066,8	42.0	1066,8	42.0	± 4 mm
XP254 C	1143,0	45.0	1143,0	45.0	± 4 mm



- Standard belt increments 76,2 mm.
- Non-standard belt increments 15,2 mm.
- Please contact with customer service for precise belt measurements.

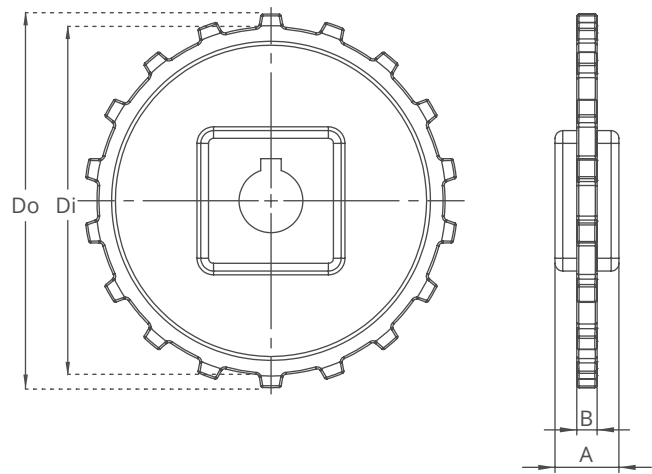
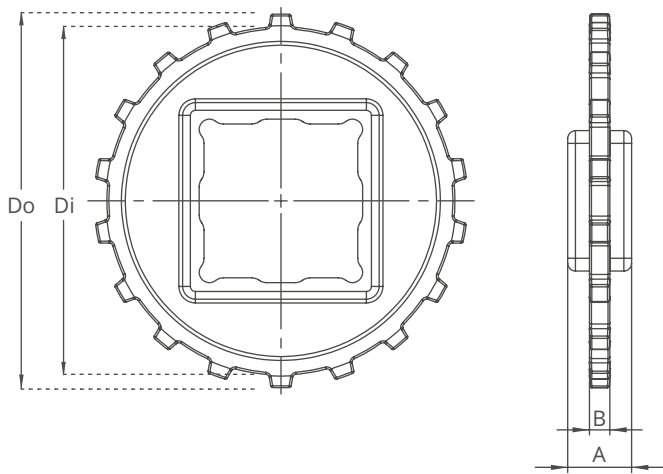
XP254 Series Sprockets and Technical Specifications



Z18



Z18



- Split moulded sprockets are available for XP254 Z15 & Z18!

XP254 Series / Standard Sprockets Dimensions

NO. TEETH	Di mm/inch	Do mm/inch	B mm/inch	A mm/inch	Square Bore (Q) mm/inch	Round Bore (R) mm/inch	PRODUCT CODE	
							Square Type (Q)	Round Type (R)
Z8	53,2 / 2.09	64,0 / 2.52	8 / 0.31	25 / 1	25 / 1	25-30 / 1-1.25	XP254SQZ8*PA	XP254SRZ8*PA
Z10	71,6 / 2.82	82,5 / 3.25	8 / 0.31	25 / 1	40 / 1.5	25-30 / 1-1.25	XP254SQZ10*PA	XP254SRZ10*PA
Z12	89,0 / 3.50	99,5 / 3.92	8 / 0.31	25 / 1	40 / 1.5	25-30 / 1-1.25	XP254SQZ12*PA	XP254SRZ12*PA
Z15	114,0 / 4.49	124,0 / 4.88	8 / 0.31	25 / 1	40-60 / 1.5-2.5	25-30 / 1-1.25	XP254SQZ15*PA	XP254SRZ15*PA
Z18	136,4 / 5.37	146,4 / 5.76	8 / 0.31	25 / 1	40-60 / 1.5-2.5	25-30 / 1-1.25	XP254SQZ18*PA	XP254SRZ18*PA

*Other sprockets and hub sizes are manufactured up to request. *POM (Acetal) and PP (Polypropylene) sprockets raw material is available on request.

***Machined Split Sprockets are available for each size.**



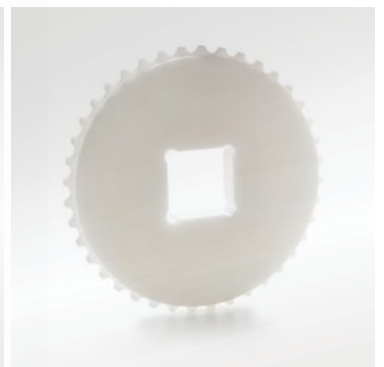
Clamp



Machined Split Sprocket



Moulded Sprocket

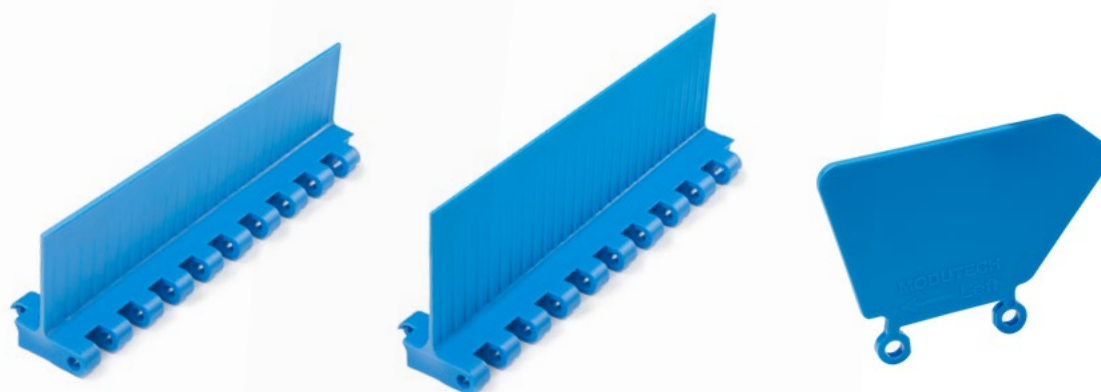


Machined Sprocket



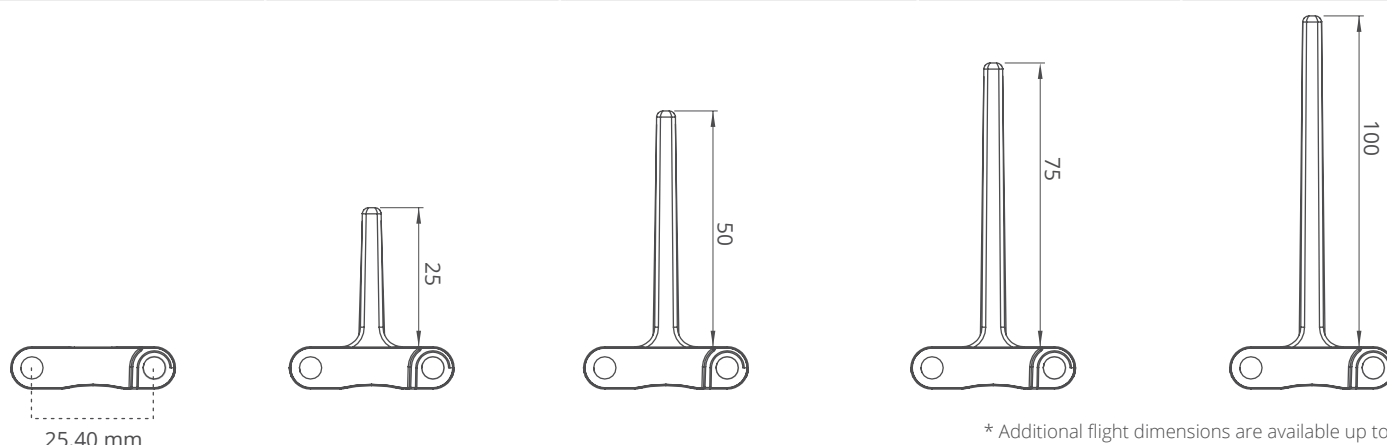
MODUTECH

XP254 Series Accessories and Technical Specifications

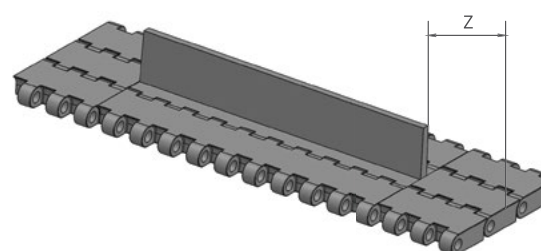
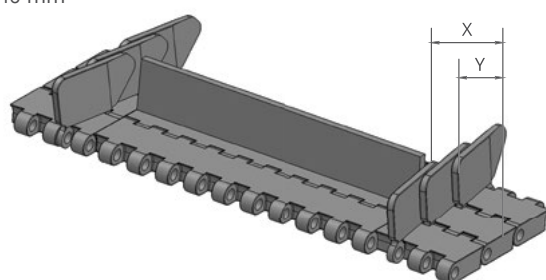


XP254 Series / Flight & Sidewall Dimensions

XP254 Series / Flights & Sidewalls				
PRODUCT CODE	Flight Height (mm/ <i>inch</i>)	Flight Width (mm/ <i>inch</i>)	PRODUCT CODE	Sidewall Height (mm/ <i>inch</i>)
XP254T25	25 / 1	152,4 / 6	XP254SW25	25 / 1
XP254T50	50 / 2	152,4 / 6	XP254SW50	50 / 2
XP254T75	75 / 3	152,4 / 6	XP254SW75	75 / 3
XP254T100	100 / 4	152,4 / 6	XP254SW100	100 / 4



* Additional flight dimensions are available up to 75 mm.



XP254 Series / Sidewall Technical Specifications

Possible Sidewall and Flight Indents	X		Y	
	mm	<i>inch</i>	mm	<i>inch</i>
Standard, no module cutting	24,0	0.94	15,0	0.59
Module cutting necessary	32,0	1.26	22,0	0.87
Standard, no module cutting	40,0	1.57	30,0	1.18
Module cutting necessary	48,0	1.89	37,0	1.46
Standard, no module cutting	56,0	2.20	45,0	1.77
Module cutting necessary	64,0	2.52	53,0	2.09

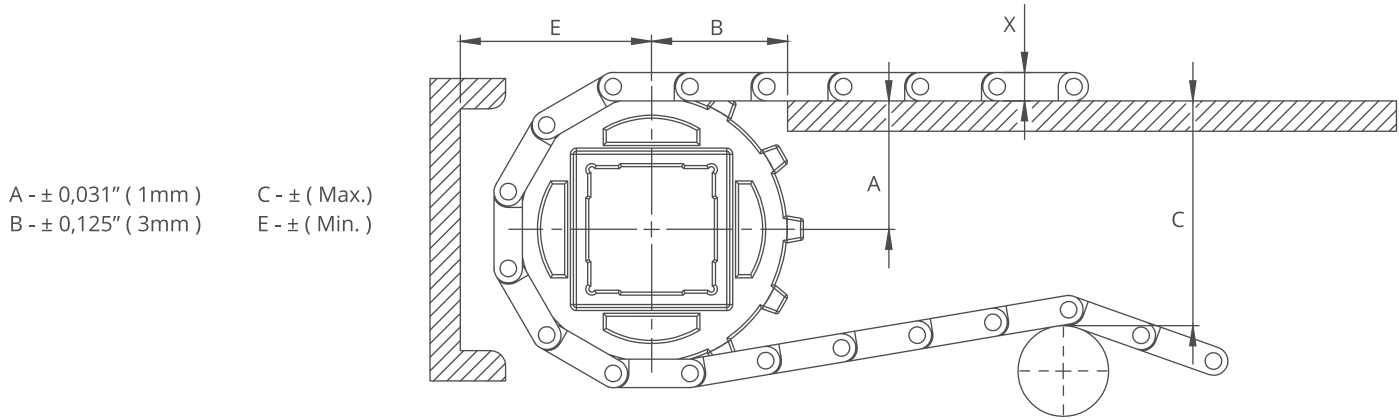
XP254 Series / Flight Technical Specifications

Possible Flight Indents for XP254 Series	Z	
	mm	<i>inch</i>
Standard, module cutting	15,0	0.59
Standard, no module cutting	30,0	1.18
Standard, no module cutting	45,0	1.77
Standard, module cutting	60,0	2.36
Standard, no module cutting	76,0	2.99

*Non-standard flight indent is on request.

Note: Gap between flight and sidewall minimum 2-3 mm

XP254 Series *Engineering Information*

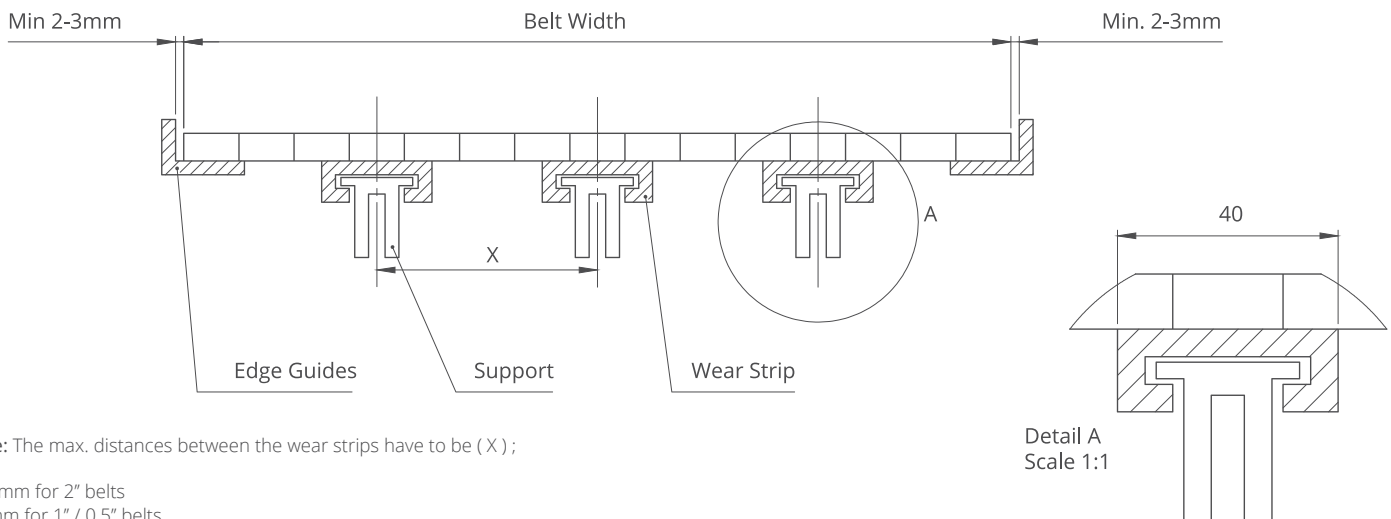


A - $\pm 0,031''$ (1mm)
 B - $\pm 0,125''$ (3mm)
 C - \pm (Max.)
 E - \pm (Min.)

XP254 Series / Conveyor Frame Dimensions

Sprockets Description			A		B		C		E		X	
Pitch Diameter		No.Teeth	Range (Bottom to Top)		inch	mm	inch	mm	inch	mm	inch	mm
inch	mm		inch	mm								
XP254 FLT CR, XP254 C, XP254 FG, XP254 PR%22												
2.32	59,0	8	1.17	29,8	1.44	36,5	1.94	49,3	1.91	48,6	0.35	8,8
2.99	76,0	10	1.47	37,0	1.69	42,9	2.57	65,4	2.21	56,2	0.35	8,8
3.59	91,2	12	1.79	45,5	1.86	47,3	3.19	81,1	2.53	64,3	0.35	8,8
4.65	118,0	15	2.22	56,3	2.13	54,1	4.15	105,3	2.96	75,1	0.35	8,8
5.67	144,0	18	2.71	69,0	2.31	58,7	5.16	131,0	3.45	87,8	0.35	8,8
XP254 CR												
2.32	59,0	8	1.17	29,8	1.44	36,5	1.94	49,3	1.91	48,6	0.37	9,3
2.99	76,0	10	1.47	37,0	1.69	42,9	2.57	65,4	2.21	56,2	0.37	9,3
3.59	91,2	12	1.79	45,5	1.86	47,3	3.19	81,1	2.53	64,3	0.37	9,3
4.65	118,0	15	2.22	56,3	2.13	54,1	4.15	105,3	2.96	75,1	0.37	9,3
5.67	144,0	18	2.71	69,0	2.31	58,7	5.16	131,0	3.45	87,8	0.37	9,3

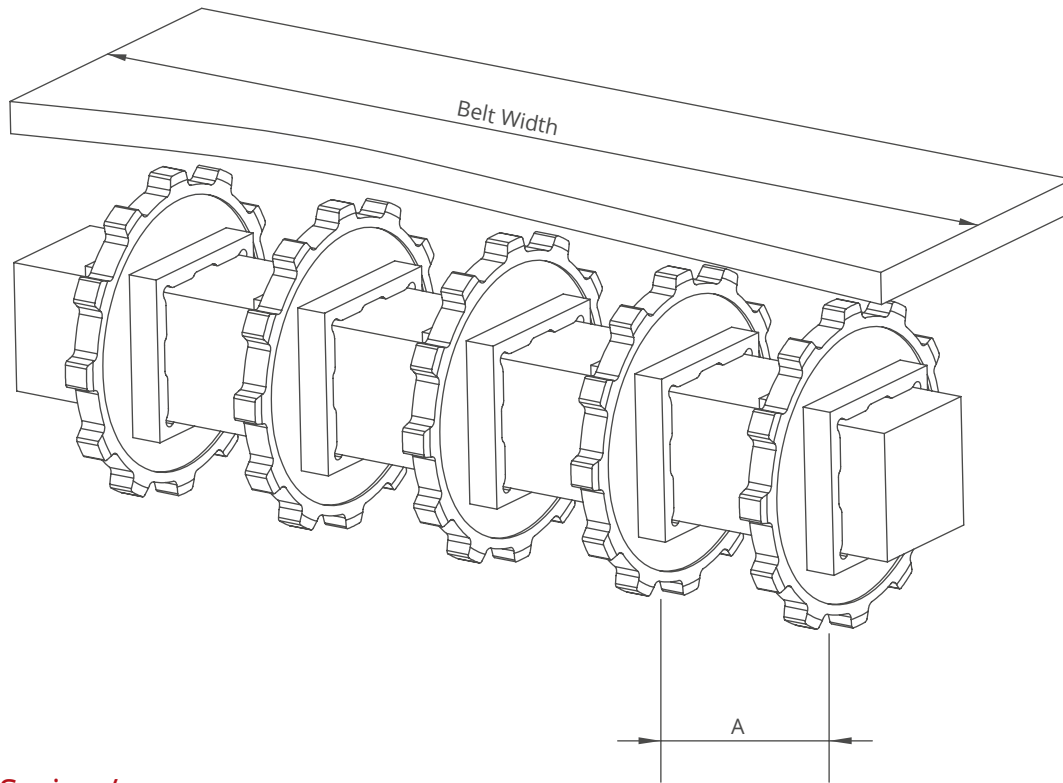
XP254 Series / Slider Support System For Straight Running Belts



Note: The max. distances between the wear strips have to be (X) ;

125 mm for 2" belts
 80 mm for 1" / 0.5" belts

Detail A
 Scale 1:1



XP254 Series / Sprockets Arrangement

Standard Belt Width		Number of sprockets per shaft		A (mm/inch)	
mm	inch	Drive Shaft	Return Shaft	Min.	Max.
152,4	6.0	2	2	60/2.36	170/6.6
228,6	9.0	2	2	60/2.36	170/6.6
304,8	12.0	3	2	60/2.36	170/6.6
381,0	15.0	4	3	60/2.36	170/6.6
457,2	18.0	5	3	60/2.36	170/6.6
533,4	21.0	5	3	60/2.36	170/6.6
609,6	24.0	6	3	60/2.36	170/6.6
685,8	27.0	6	4	60/2.36	170/6.6
762,0	30.0	7	4	60/2.36	170/6.6
838,2	33.0	7	4	60/2.36	170/6.6
914,4	36.0	8	4	60/2.36	170/6.6
990,6	39.0	8	5	60/2.36	170/6.6
1066,8	42.0	9	5	60/2.36	170/6.6
1143,0	45.0	9	5	60/2.36	170/6.6
1219,2	48.0	10	5	60/2.36	170/6.6
1295,4	51.0	10	6	60/2.36	170/6.6
1371,6	54.0	11	7	60/2.36	170/6.6
1447,8	57.0	11	7	60/2.36	170/6.6
1524,0	60.0	12	7	60/2.36	170/6.6
1600,2	63.0	12	8	60/2.36	170/6.6
1676,4	66.0	12	8	60/2.36	170/6.6
1752,6	69.0	13	8	60/2.36	170/6.6
1828,8	72.0	14	9	60/2.36	170/6.6
1905,0	75.0	14	9	60/2.36	170/6.6
1981,2	78.0	15	10	60/2.36	170/6.6
2057,4	81.0	15	10	60/2.36	170/6.6

Note: Number of sprockets depends on the belt load.