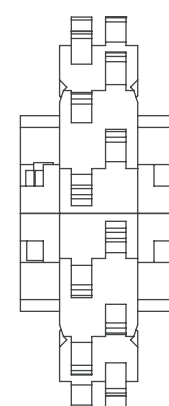
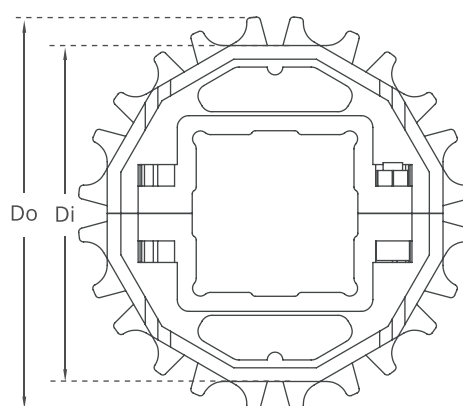
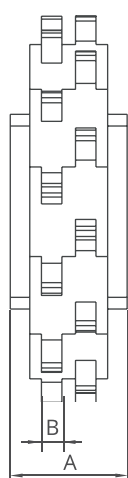
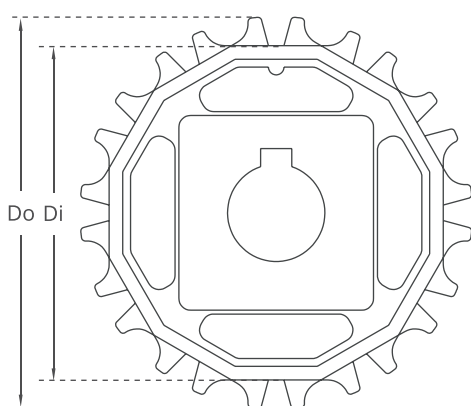


EC254T R Series Sprockets and Technical Specifications



Split moulded sprockets are available.

EC254T R Series / Standard Sprockets Dimensions

NO. TEETH	Di mm/inch	Do mm/inch	B mm/inch	A mm/inch	Square Bore (Q) mm/inch	Round Bore (R) mm/inch	PRODUCT CODE	
							Square Type (Q)	Round Type (R)
Z8	52,0 / 2.05	67,0 / 2.64	6 / 0.24	30 / 1.18	25 / 1	25 / 1	MD-TR254SQ25Z8*POM	MD-TR254SRZ8*POM
Z10	69,0 / 2.72	84,0 / 3.31	6 / 0.24	30 / 1.18	40 / 1.5	25-30 / 1-1.25	MD-TR254SQZ10*POM	MD-TR254SRZ10*POM
Z12	85,8 / 3.38	100,8 / 3.97	6 / 0.24	30 / 1.18	40 / 1.5	25-30 / 1-1.25	MD-TR254SQZ12*POM	MD-TR254SRZ12*POM
Z15	110,8 / 4.36	125,8 / 4.95	6 / 0.24	30 / 1.18	40 / 1.5	25-30 / 1-1.25	MD-TR254SQZ15*POM	MD-TR254SRZ15*POM
Z16	119,1 / 4.69	134,1 / 5.28	6 / 0.24	30 / 1.18	40 / 1.5	25-30 / 1-1.25	MD-TR254SQZ16*POM	MD-TR254SRZ16*POM
Z18	135,6 / 5.34	150,6 / 5.93	6 / 0.24	30 / 1.18	40 / 1.5	25-30 / 1-1.25	MD-TR254SQZ18*POM	MD-TR254SRZ18*POM
Z20	150,7 / 5.93	167,3 / 6.59	6 / 0.24	30 / 1.18	40 / 1.5	25-30 / 1-1.25	MD-TR254SQZ20*POM	MD-TR254SRZ20*POM

*Other sprockets and hub sizes are manufactured up to request. *PA (Polyamide) and PP (Polypropylene) sprockets raw material is available on request.

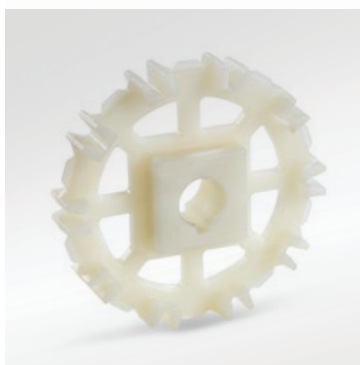
***Machined Split Sprockets are available for each size.**



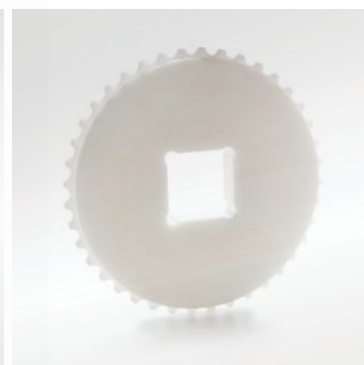
Clamp



Machined Split Sprocket



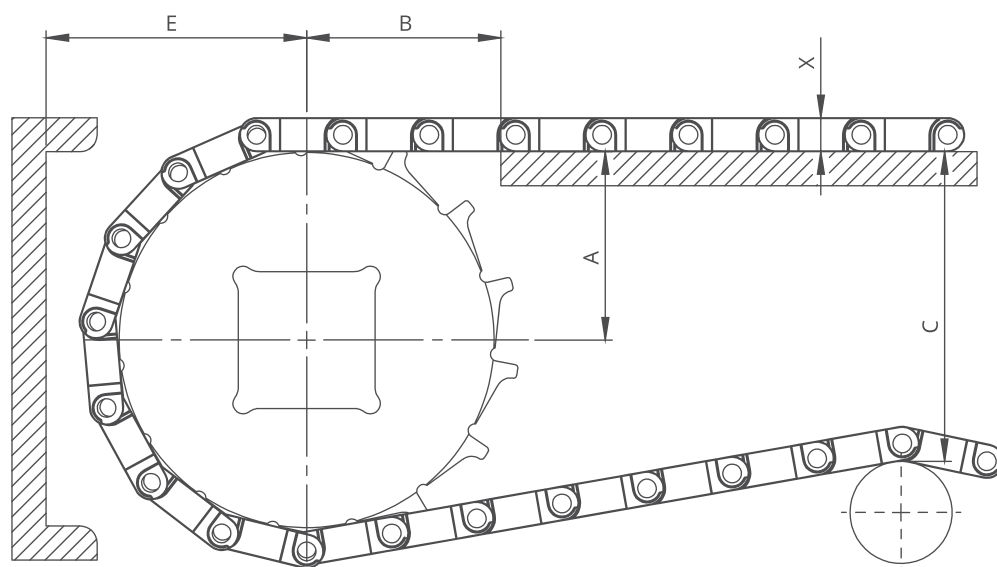
Moulded Sprocket



Machined Sprocket

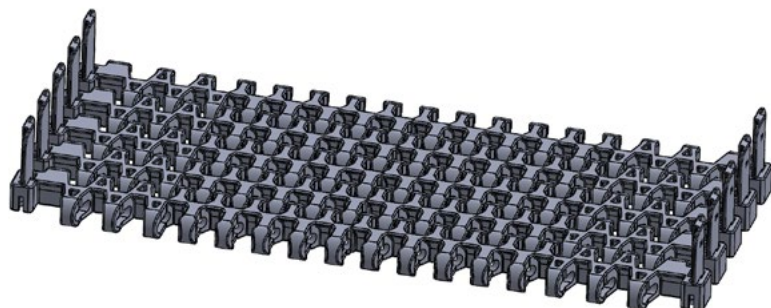
EC254T R Series *Engineering Information*

A - ± 0,031" (1mm) C - ± (Max.)
 B - ± 0,125" (3mm) E - ± (Min.)



EC254T R Series / Conveyor Frame Dimensions

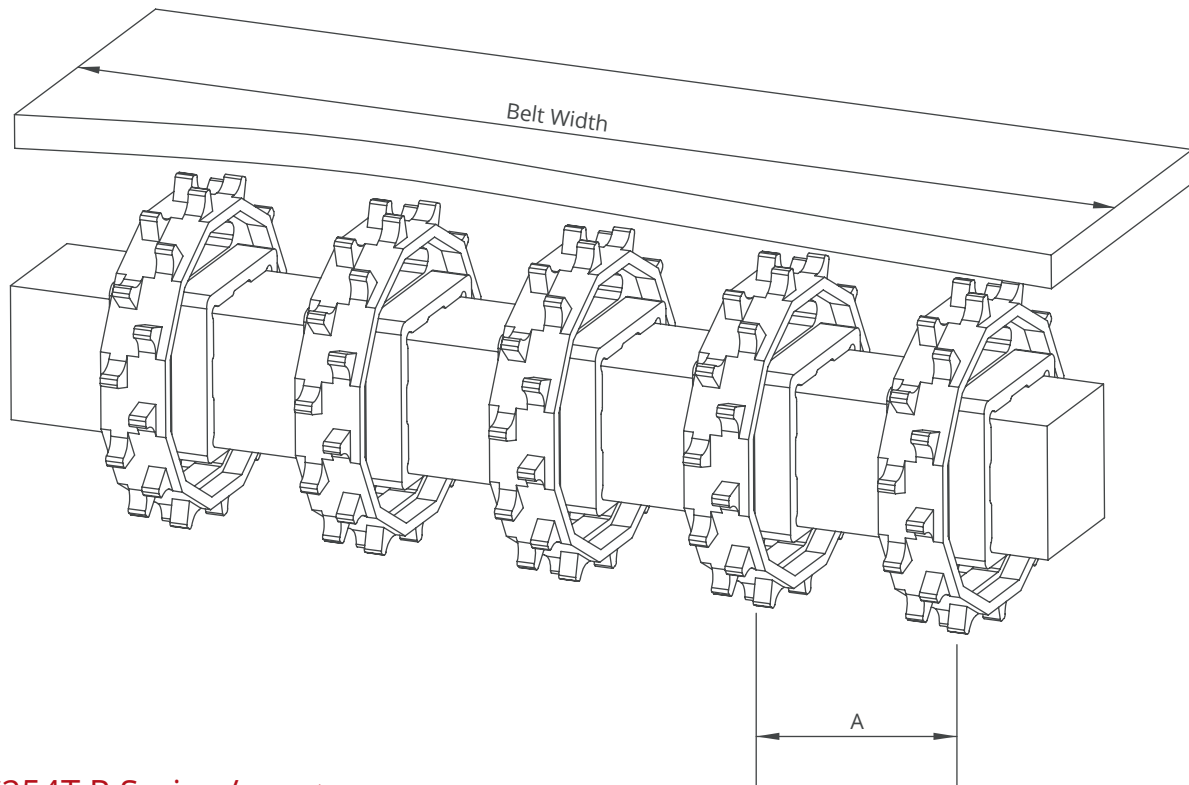
Sprockets Description			A		B		C		E		X	
Pitch Diameter		No.Teeth	Range (Bottom to Top)		inch	mm	inch	mm	inch	mm	inch	mm
inch	mm		inch	mm								
EC254T R												
2.38	60,5	8	1.15	29,2	1.55	39,4	1.95	49,5	1.94	49,2	0.43	11,0
3.07	78,0	10	1.46	37,1	1.77	45,0	2.60	66,1	2.25	57,1	0.43	11,0
3.74	95,0	12	1.76	44,8	1.97	50,1	3.24	82,3	2.55	64,8	0.43	11,0
4.70	119,5	15	2.22	56,4	2.23	56,7	4.18	106,1	3.01	76,4	0.43	11,0
5.02	127,5	16	2.37	60,2	2.38	60,5	4.46	113,2	3.21	81,5	0.43	11,0
5.71	145,0	18	2.73	69,3	2.45	62,3	5.19	131,8	3.51	89,3	0.43	11,0



EC254T R Series / Sidewall Technical Specifications

Possible Sidewall Indents	-	
	mm	inch
Standard, no module cutting	-	-

EC254T R Series Engineering Information



EC254T R Series / Sprockets Arrangement

Standard Belt Width		Number of sprockets per shaft		A (mm/inch)	
mm	inch	Drive Shaft	Return Shaft	Min.	Max.
167,0	6.57	2	2	50/2	120/4.7
200,0	8.0	2	2	50/2	120/4.7
250,0	10.0	3	2	50/2	120/4.7
300,0	12.0	3	2	50/2	120/4.7
350,0	14.0	3	3	50/2	120/4.7
400,0	16.0	4	3	50/2	120/4.7
450,0	18.0	4	3	50/2	120/4.7
500,0	20.0	5	4	50/2	120/4.7
550,0	22.0	5	4	50/2	120/4.7
600,0	24.0	6	5	50/2	120/4.7
700,0	26.0	7	5	50/2	120/4.7
800,0	28.0	8	6	50/2	120/4.7
900,0	30.0	9	7	50/2	120/4.7
1000,0	32.0	10	7	50/2	120/4.7

Note: Number of sprockets depends on the belt load.

EC254T R Series / Collapse Factors per width for EC254T R Serie

Nom. Belt Width (mm)	250,0	300,0	350,0	400,0	450,0	500,0	550,0	600,0	650,0	700,0	750,0	800,0	850,0	900,0	950,0	1000,0	1050,0	1100,0	1150,0	1200,0
Nom. Belt Width (inch)	10.0	12.0	14.0	16.0	18.0	20.0	22.0	24.0	26.0	28.0	30.0	32.0	34.0	36.0	38.0	40.0	42.0	44.0	46.0	48.0
Collapse Factor	1,43	1,47	1,50	1,52	1,54	1,55	1,56	1,57	1,58	1,58	1,59	1,61	1,62	1,63	1,64	1,65	1,66	1,66	1,70	1,71
Min. Inner Radius (mm)	357,5	441,0	525,0	608,0	693,0	775,0	858,0	942,0	1027,0	1106,0	1192,5	1288,0	1377,0	1467,0	1558,0	1650,0	1743,0	1826,0	1955,0	2052,0
Min. Inner Radius (inch)	14.3	17.6	21.0	24.3	27.7	31.0	34.3	37.7	41.1	44.2	47.7	51.5	55.1	58.7	62.3	66.0	69.7	73.0	78.2	82.1

Standard range of belt width and collapse factor (Min. Inner radius = Collapse factor x Standard belt width)